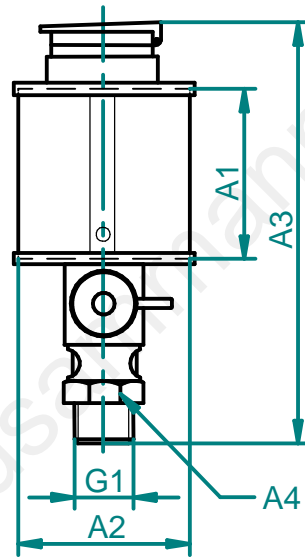


General tolerances ISO 2768-m						Index	Date	Visum	Modification	Index	Date	Visum	Modification
Basic-size	...6	> 6 ...30	> 30 ...120	> 120 ...400	> 400 ...1000								
medium	±0.1	±0.2	±0.3	±0.5	±0.8								



Specifications points D,K,H	
D= doc.points	
K= critical	
H= main	

		Material:															
Accord-draw.no.:	Origin-draw.no.:	Replacement for:	Scale														
			<table border="1"> <tr> <td></td> <td>Date</td> <td>Visum</td> <td>Phone</td> </tr> <tr> <td>plotted</td> <td>29.07.11</td> <td>E.Z</td> <td></td> </tr> <tr> <td>checked</td> <td></td> <td></td> <td></td> </tr> </table>			Date	Visum	Phone	plotted	29.07.11	E.Z		checked				
				Date	Visum	Phone											
plotted	29.07.11	E.Z															
checked																	
HAUSAMMANN KOMONENTEN PRODUKTION SYSTEME		12.083	Solid Edge	Format A4	Index 00												
© 2010, Für dieses Dokument behalten wir uns alle Rechte vor.		© 2 010, Nous nous reservons tous les droits sur ce document		© 2 010, We reserve all rights in connection with this document													